

# the daily bunyip

Wednesday January 9 2019

100 per cent dust-proof.



by SHARON WALLACE  
Photos: IAN WOFF & GREG CURNOW

How windy is too windy? How wet is too wet? Never! Flying off the buses at Wet 'N' Windy, over 1,000 Scouts line up for their Personal Flotation Device (PFD) ready for some fun on the water.

Troop C664 are "hoping the rubber ducks are big yellow ducks. We need to see a duck face; if there isn't, we're going to be disappointed."

The leaders claim they haven't lost a Scout yet on the dragon boats.



At the raft building once you've built your raft, the challenge is to see if your patrol could all stand on the raft and you had to



'floss' for as long as you could. C104 told us "we wanted to be creative and come up with a new design for making our raft. We decided to do something different to make everyone jealous, we've put all the barrels at the front. It's sink or swim."

In survival mode, C330 went down the traditional path "We've used truckers hitch, a reef knot and clove hitch. Our knots are winners and will keep the barrels in place."

The Log Jammer waterslide is the tallest inflatable water slide in South Australia, at 10m high and 28m long.

Henry, Ethan and Bailey from C218 assure us "it looks taller and scarier than it actually is. Being taller and having sprinklers at the top means you go down super-fast."

We caught Ella of C437 screaming on the way down "OMG I just ate something, I don't know what it was, I think it had a leg!" Ryan, C437) was comforting her by singing "there was a young Scout who swallowed a fly and I don't know why, there was a young Scout...."

Splash in to another world at Wet 'N' Windy, guaranteed soaking wet fun.

## WET 'N' WINDY



Top: Larissa & Jess, D103; above: Jordan, Hudson & Mason, D750; above right: dragon boating; below left: the Logjammer; below right: Shell, Benthan, Charlotte & Lily, D205 relaxing.



"We raced and won three times. Everyone's going to think we put motors on our oars - we were that good."

The swimming pool is swim-pressive. Tyson, Caleb and Patrick from A104 swam all the way out "at the end it's deep, you can't see much because of the mud but there's no sticks or creepy crawlies".

You can earn a site badge by performing, or nominating someone, for a good deed. Ashlee and Gabi from C435 say it's a great way to meet new friends, "we swim up to someone, splash them and have a chat. We met a cool boy, Seth from A436 and it turns out he's visually impaired, we were all having great fun swimming around. We nominated Seth for being awesome!"



**HAVE YOUR SAY**  
email stories, photos and questions for the Bunyip to: newspaper@aj2019.com.au

# Stuff<sup>o</sup>

More Stock Arriving Today!



\$1 From National Program Space in Allawah Mall  
Limit 6 per person

## WEATHER



or not?

Thursday  
January 10

Tailem Bend

30, mostly sunny

Woodhouse

26, mostly cloudy

Adelaide

30, mostly sunny

**Brisbane**  
30, clearing shower  
**Canberra**  
26, possible shower  
**Darwin**  
34, possible thunderstorms  
**Hobart**  
20, mostly cloudy  
**Melbourne**  
23, mostly sunny  
**Perth**  
25, possible shower  
**Sydney**  
25, possible shower  
**Jakarta**  
31, thunderstorm

## Back in the Day...

Here's where AJ2019 fits in Australian Scouting history ...

The 12th Australian and 4th Asia-Pacific Jamboree was the first to be held in Western Australia. The Jamboree was held at 1979-80, during Perth's 150th anniversary celebrations at Perry Lakes Reserve, only seven kilometres from the centre of the city. It was a very hot summer in the west and many Scouts took advantage of the daily shuttle bus to City Beach.



## THOUGHT FOR THE DAY

The Jamboree is half over. Have you made the most of it so far? Faced some new challenges? Done a heap of exciting activities? One of the great things about a long camp like a Jamboree is that living together like this starts to seem like "normal life". But of course it isn't. AJ2019 will be over pretty soon. Time to think. What can I do to make the Jamboree better for me? What can I do to make it better for someone else? You've only got a few days to put your resolutions into practice.

## So how old are we?

Age	Number	Most popular adult age
10	26	47 112
11	993	
12	2642	Still enjoying their Jamborees ...
13	2464	80 1
14	1881	83 2
15	160	90 1
16	108	
17	82	

## WHAT'S ON tonight

### Entertainment

#### Main Arena:

6.30-7.30 pm Cosplay characters for selfies  
8 pm Feature movie - Solo: A Star Wars Story  
**Bend FM Stage:**  
6.30-9.30 pm DISCO  
- Pop music

#### Gilwell Reunion

Wednesday January 9, 8.30-10.30 pm  
VIP tent  
First in, best dressed - only 120 places.  
Wear Gilwell scarf, bring \$10 cash  
All attendees get the new Centenary of the Wood Badge badge

## thursday

### Entertainment

#### Main Arena:

6.30-9.30 pm International night - performances from international contingents  
**Bend FM Stage:**  
6.30-8 pm AJ's Got Talent Heat 3  
8.15-9.30 pm DISCO  
- 80's Dance Party

#### Activities

##### Off-site Activities.

Woodhouse: Wristband collection from 7 am, Departure 7.30 am\*  
Metromania: Wristband

collection from 7.30 am, Departure 8 am\*  
Wet 'n' Windy: Wristband collection from 8 am, Departure 8.30 am\*  
\*Be sure to arrive 45 min before departure time  
**On-site Activities.**  
Bang! - "The Cube"  
- Whizz! - Splat! - Trades - Hi-Tech  
Wristband collection 8.30 am, Activity start time 9 am  
Wristband collection 1.30 pm, Activity start time 2 pm  
**Leader activities**  
The Program team are opening their activities to Leaders for select activities. Spaces are very strictly limited - first come, first served basis.

#### On-site Activities.

TONIGHT  
7.30 pm Movie at Bang!  
THURSDAY  
7.30-8.30 pm Waterslide at Splat!  
**Shops**  
AJ2019 Merch shop:  
10 am - 6 pm  
Scout Outdoor Centre:  
10 am - 4 pm  
**Service Leader meals**  
Breakfast: 6-8 am  
Morning tea: 10-10.30 am  
Lunch: 12 noon - 2 pm  
Afternoon tea: 3-3.30 pm  
Dinner: 5.30-7.30 pm  
Leader lounge 12 'til late, drinks from 7 pm

## VOX POP\*

HOW'S THE FOOD IN YOUR TROOP?



Jacqui, B218\*

"AJ camp food is different to normal camps where we have burgers and stews, here we get food like schnitzels, pork loin and honey soy chicken which is fabulous. There's also plenty of food. We got a huge package of different food at Woodhouse, that was really exciting."



Bianca, C545\*

"Breakfast is my favourite, I like bacon, eggs and sausages. We've had pancakes too. When you are on duty patrol you have to leave activities early to prepare. Prep can take a long time, one night it took two hours because we had to peel and cut so many potatoes."



Milo, D537\*

"The food depends on the Scouts that do the cooking, some cook well and some don't. The other night we ended up with raw taco meat. You get to know the patrols by how well they cook. We get a good choice of food here but I liked the food at Woodhouse better."



Oliver, A536\*

"It's been surprisingly good. Last Jamboree we had one incident of undercooked food. I'm a PL and I haven't had duty patrol yet, I worry about it because I want to get the food out on time and cooked properly. The honey soy chicken the other night was delicious."



Maya, C549\*

"The food is absolutely amazing. When you go on other camps you have packaged or dehydrated food. I love the fresh food here and you get so much of it. Breakfast is best, it is the most important meal of the day and you have a choice of hot or cold food."



A.J. & Zulu, Sub Camp C

"Bleat, bleat, baa-bleat! Bleat, bleat, bleat baa-baa bleat \*Translation - The food has been great! All the milk and straw we can eat."



If this is your boot, it's waiting for you at Splat.

Photo: LES BUCKLE

# SAVED BY HIS MORTAL ENEMIES

by PATRICK MORGAN

Brodie from A319 spent Day 1 of the Jamboree, which was also his birthday, on Metromania. Little did Brodie know that the day would not turn out how he planned!

After morning tea at McDonalds in Rundle Mall, Brodie followed the wrong QLD Patrol, getting confused because they wore the same bags. After walking up and down the Mall for 10 minutes, Brodie was still without his Patrol. However, much to Brodie's horror, he did find a Patrol of NSW Scouts. New South Wales and Queensland are sworn enemies, due to State of Origin rugby. However, Brodie says "they turned

out to be really nice and friendly", and he joined them on the dolphin cruise.

Brodie's patrol took 10 minutes to notice that he wasn't with them, and another 30 minutes to give up. Brodie reports that "they were more worried about (Patrol mascot) Princess than me, they replaced me and Princess with a koala named Duchess and got me a leash, so I won't go missing again".

While the day may not quite have gone to plan, it definitely was a good day for NSW-QLD relations, and a birthday Brodie will always remember!



Brodie with his patrol from A319 and Mascot Princess Photo: LIZZY BEAVER

# BREAKFAST WITH THE CAMP CHIEF

Words and Photos: BIANCA WALKERDEN

Camp Chief Harry Long says breakfast this morning with Troop B108 is the highlight of his Jamboree so far.

Harry shared bacon and eggs cooked by the duty patrol of this NSW Troop.

Harry spent an hour with the Troop, reminiscing about past Jamborees, before washing his own dishes and heading off.

"I'm running late for my next meeting – I never have control of my own destiny," said Harry.

We've had two miracle food stories at AJ2019. Now we're looking for a piece of toast that looks Harry. Harry is excited too. He's offered a very rare Camp Chief badge to the Patrol that finds this. Bring it to "The Daily Bunyip"



Above: Harry is served by Rory. Right: Harry dines with Robert, Josh, James and Jack.



## Matthias from A103 caught tampering with the ball using sandpaper. SANDPAPER GATE RETURNS TO AUSTRALIA

by MATT ELLIS

The Australian cricketing landscape has been rocked again for the second time in 12 months with a second ball tampering saga shocking the Australian cricketing community.

As the investigation continues, it was revealed that Matthias from Troop A103 did in fact, use sandpaper to alter the condition of the ball.

"I am very sorry for my actions and bringing the great game of cricket into disrepute. Troop A103 thought using sandpaper was the only way to remove the dust off the ball" said Matthias.

There have been calls for Matthias and Troop A103 to be sent home from Jamboree however those calls were unsuccessful.

Matthias and Troop A103 will remain at Jamboree after the International Cricket Council (ICC) confirmed that sand paper

was the only way to remove the dust off the ball.

In March 2018 Australian cricketers Steven Smith, David Warner and Cameron Bancroft faced lengthy bans after they altered the condition of the ball in the third test in Cape Town, South Africa.



Steve Smith and Cam Bancroft face the media for the first time after being caught tampering with the ball in 2018. Photo: GETTY IMAGES

## It's the Eye of the Tiger

Words and Photos by MATT ELLIS

One thing that was evident at the Bend FM Arena was Scouts know how to use their air guitars.

Fletcher from Troop A651 followed the first rule of being a Scout, and he was prepared. Fletcher had brought a tiger mask, so when Eye of the Tiger came on, he was more than ready for a jamming session.

"It felt like I was the centre of attention when Eye of the Tiger was playing, I knew I had to rock n roll for this song," said Fletcher.

Lachlan from D541 said, "I'm so pumped to unleash my best moves tonight, LET'S PARTY."



Fletcher from A651 is ready for Eye of the Tiger

## ASM #1?

At 6.15 yesterday morning, Benjamin Caughey of 1st Hay was presented with his ASM by NSW Contingent Leader and Riverina Scouts Commissioner Ian Petty in front of patrols and Leaders from across the Riverina.

Is this the first ASM of AJ2019? Please send details of others to newspaper@aj2019.com.au



# Six girls who rock Scouting

EZGI BRIDGER met six young women who are the future of Scouting.



**Thea**  
Scout, D103

Being in a leadership role in Scouts is amazing, particularly on Jamboree. It is stressful but very rewarding to see our Scouts enjoying the activities and pushing themselves to pursue challenges they wouldn't normally. Scouts for me has been amazing way to open up and become more confident in myself. Joining Scouts and meeting my Leader is the best thing I've ever done because it has put me in the position where I can finally be the confident person I am now. I'm very grateful to everyone that helped me come out of my shell. Scouts is such a beneficial program for young kids, especially young girls. I could never have imagined how incredible it could have been for me.



**Leila, PL**  
D536

Being a PL at Jamboree is a great way to learn about responsibility and leadership. You have to make sure you have everyone, you're on time for all your activities, and, most importantly, that everyone in your patrol is having fun.



**Tess**  
APL, D536

Being an APL at Jamboree is an amazing opportunity to show not only leadership skills but also to help others. When our patrol goes out to activities it's always great to work as a team and get the job done.



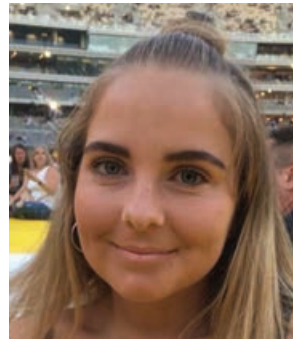
**Morgan**  
PL, A435

I went to the last Jamboree and this is a stark contrast. It's a bit stressful, especially when members of my patrol do something silly in the kitchen and I've got to clean it. I'm loving being in a leadership role. It's awesome to be included in almost everything, unlike when I was an immature 11-year-old.



**Rosie**  
Scout, D103

I have just joined Scouts last year. I have had a great time adventuring and meeting people at Scouts. At Jamboree I have had a great time going to activities and having fun with friends, but I have felt as if I was in a safe environment where I could feel safe to say what my opinion was and for once people would listen. That's why I love Scouts.



**Marnie**  
Venturer, WA

For the previous 18 months I have been contributing to the Western Australian Contingent Team through my role as an Assistant Contingent Leader. The support provided has allowed me to both grow and succeed as an ACL resulting in an improved experience for all participants. My team and I have provided mentorship with Western Australian PLs as well as hosting contingent council meetings which has allowed for direct youth feedback to JEC. Having a supportive environment has given me the confidence to learn new skills and strengthen my leadership capabilities. It has made me appreciate the opportunities that this role has brought and I encourage all other youth members to challenge themselves within the many leadership opportunities Scouts Australia provides.



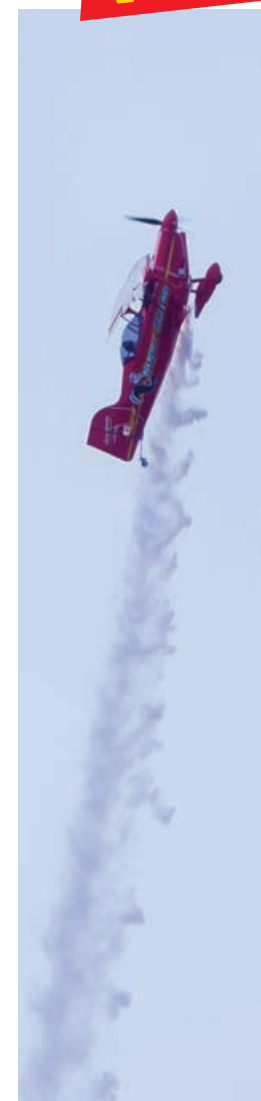
Photos: LES BUCKLE



by MADELEINE WOODWARD  
Photos: PHILL STEVENS

A fantastically loud show that caught the attention of everyone on the ground, and not just because of the noise, was the aerobatics display by pilot, Chris Spiro. Spiro expertly manoeuvred the plane through the air, dipping down low to the ground and rocketing high up in to the air. The plane itself was a stunt biplane with a 300-horsepower engine, which is the same engine as a Ford Mustang. The plane weighs about 500 kilograms, which is mostly the powerful engine. Spiro "took off on the runway after about a metre and went straight up," said Phill, F400.

"He took off straight up toward the angels. When Spiro did an inverted pass (flying upside down above the runway) he was about 50 metres off the ground." While the crowd looked up in awe at the display, Spiro was enjoying the adrenaline rush of aerobatics. Other manoeuvres included: a vertical storm, flying directly up in the air until the engine stops, then falling and restarting the engine when the plane is just about to hit the ground; a horizontal corkscrew, which is flying parallel to the ground while spinning; and a loop de loop. It was a perfect start to the great line up of performances that entertained Tailem Bend on Monday night.



# STUNT JUMP

# No More High-Fives

by ALBERT LEE  
Photo: PHILL STEVENS

Lucas Tan from Troop B443 is a great example of a high-spirited Scout but also a health and safety risk at AJ2019.

Lucas started high-fiving people while waiting in line for an activity, "I got bored while waiting for Wet 'n' Windy, so I started high-fiving for a bit of fun".

Since the start of his high-fiving career to day 4 of Jamboree, he has reached an exact total of 5200, that is more than half of the AJ2019 population!

Lucas recorded the locations where he had gotten to each thousand up to the current number now. Lucas got to 1000 and 2000 at Wet 'n' Windy, 3000 at the Allawah Mall, and finally 4000 and 5000 at Woodhouse; "I want to get to 6969 high-fives by the end of AJ for the memes".

While 5000 is a huge number it also poses a health risk, all that touching hands can spread the dreaded Gastro bug. The Welfare team have suggested that perhaps this should be changed to a fist bump instead of a high-five. The Welfare team are working with Lucas to rehabilitate him to go for the fist bump instead, it's going to be hard but being stuck in quarantine for the rest of AJ2019 is probably not where he or other Scouts want to finish.



# ATTACK of the Killer Dunnyies

by JESSE & GRACE, C441 Photo: CHELSEA LONG



During the coach ride to Jamboree, it was around 1 am when we stopped in the small town known as Hay and we were at the service station for a toilet break. The bus was stopping for only a short amount of time and for a moment I didn't want to wait in the long line of the toilets. I then decided to go to the toilets on the bus rather than at the servo. When I realised that the toilet paper was not going down the toilet bowl, I gave it guidance by pushing it down with my finger. But not realising how far down my finger was, the toilet shut as the automatic timer for the latch ended, jamming my finger. So I'm standing there in pain and not being able to do anything. Later I opened it again and I exited the toilet, with a mangled finger, searching for help from a Leader.

# SCOUTS AREN'T THE ONLY WILDLIFE AT AJ2019

by KERRIE McDONALD  
Photos: SANDY SCHOFIELD, BIANCA WALKERDEN, CHELSEA LONG

When you're in The Mall, make sure you call in to the Warrawong Wildlife Sanctuary tent to meet their collection of wildlife.

Among their collection are Jon Snow, an albino North West Carpet Python who measures around 2.6m long, and Oliver, the massive 3.7m long Olive Python.

Thomas, C774, had held a snake before, but said he was "still a bit nervous. He's got really soft skin."

The wildlife handlers also took some of our loved Australian marsupials to meet our International guests at a function on Tuesday night. Some of the animals available for the visitors to pat were Lady, a Ringtail Possum, and Tormund, a Rufous Bettong, also known as a rat-kangaroo.

Mariamunessa from Bangladesh loved them. "They're amazing. Australia has different kinds of animals. These are so soft and so cute."

Our UK Scouts were also taken by the marsupials. "They're adorable," said Maya and Rachel.

For those liking the less cuddly animals, the Wildlife Sanctuary also had a Goliath Stick Insect and baby Blue Tongue lizard to view, and pythons to meet.



Scouts were discouraged from practising their knots on the nope rope.



# Lost Property

by MADELEINE WOODWARD  
Photos: ANTHONY SMITH

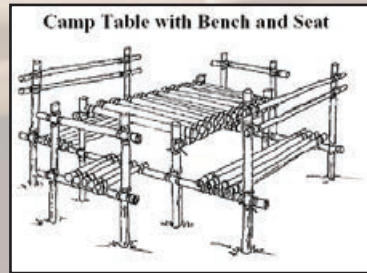
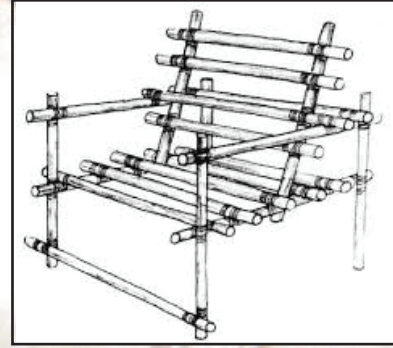
The Information Tent is overflowing with lost property! If you are missing anything, have a look inside and see if it's yours. There are almost 1000 drink bottles, so check them out and see if one belongs to you. If you have lost some muddy shoes while doing Splat, they are outside the tent due to the smell. Anything that is clearly labelled with your name and Troop number can be delivered back to you, but anything that has no name will be thrown away.



# TROOP LIFE?



Medieval times descending upon Jamboree at D540



Camp Table with Bench and Seat



B220 with their LED lighting for the Dining Fly



Old style wash with bucket and plunger. Jacob from the UK and Zion from QLD, A421



Lighting and USB ports, C330

## THEY EVEN BROUGHT THE KITCHEN SINK!

by KERRIE McDONALD  
Photos: MIKE STOBA, DAMIAN HUGHES

Does Troop D317 have the best kitchen in the Jamboree? Their sink has hot and cold running water due to clever plumbing from their leader, Chips. They also have a bike-pedal powered washing machine, a wringer, and a double-filtered ice-water dispenser!

Other clever gadgets around the site are the homing beacon for D424 to find their way back to camp, the hot water system in D642, and the air-pressurised hand-washing system in C218. D540 aren't roughing it either, with their fancy dining complete with candelabras, water jug and crystal drinking goblets. And C443 are in a spin with their constructed merry-go-round.



D424's Beacon to light their way home



Foot Pump powered hand washing in the Troop lines at C218



C443's merry-go-round, one of the many activities being offered on Market Day



Milk cans and car wheels make an old style hot water service



Jaden, Mia, Grace, Zach, D317 enjoying the mod-cons of instant hot water with Leader David "Chips" Rashleigh

# VOICE OF THE NEW BRAND



**Grace, D317**

by **KERRIE McDONALD**  
Photo: **MIKE STOBA**

Remember the voice you heard at Opening Ceremony launching Scouts Australia's new brand and logo? That voice belonged to Victorian Scout, Grace from D317. She knew about the new logo three weeks before it was launched but had signed an agreement and couldn't tell anyone.

"It was really tricky. I wasn't allowed to tell anyone what it was for, but I could say I was doing something for the Opening Ceremony," she explained. When her friends heard her on the voice-over, they all started screaming "It's Grace, it's Grace."

"I heard her and instantly recognised her voice," said her friend, Mia, D317. "We all started yelling and no-one could hear the rest of the video."

Grace was recommended for the job after being part of the Camberwell Showtime. She says she's a fan of the new logo. "I like how it represents the sections and Australia. It's playful and represents Scouting better than our old one."

# Scouts off the rails



**D211 at the Train Museum.**

by **CHLOE TYRRELL**  
Photo: **Maya, D211**

Metro Mania is serving as a great way to blow off some steam for some tired scouts. Travelling into Adelaide, Scouts have been able to visit places such as the Aviation Museum, shopping centres, paddleboat trips, the Train Museum, and Dolphin Cruises.

Troop D211 was able to experience both the Train Museum and the Dolphin Cruise, taking advantage of the relaxed nature of both before returning to the goose chase activity. After enjoying the "creepy mannequins" described by troop members Maddie and Maya, they then boarded the scenic Dolphin Cruise. Patrol leader Maya grinned "it was different and laid back. It was a nice change after running around."

## RANDOM AJ2019 FACT

### Top 5 Girls' Names at AJ2019

- |                     |                   |
|---------------------|-------------------|
| <b>Emily 48</b>     | <b>Sarah 35</b>   |
| <b>Charlotte 46</b> | <b>Jessica 34</b> |
| <b>Emma 35</b>      |                   |

# WANTED: HONEST SCOUT

by **PATRICK MORGAN**

A Scout is Honest! On Monday, a Scout visited a Contingent HQ to buy a badge, only to lose it moments later. The kind Contingent staff replaced the badge for him. Much to their surprise, a few minutes later, he returned with two badges, having found his original badge! He returned the second badge, but he disappeared before the Contingent staff could thank him.

To the very honest Scout, if you're reading this, please return to the Contingent HQ – the team there would like to reward you for your honesty.



**Lily, Kayden & Sam from C324 looking for useful stuff, with Kath and Kayden's grandparents, Chris and Bambi ready to help.**

Photo: **IAN WOFF**

District 201C2 Lions have a stand in Allawah Mall with useful items for sale to Scouts to help them enjoy AJ2019: lip Balm, Tissues, Toiletries, SOAP, bandaids plus lollies, chips, drinks and ice cream.

# Happy Birthday for today...



### Turning 11

William Chia C219

### Turning 12

Jonny Art B108

Imogen Davie C323

Paddy McCallum A541

Max McDonald D424

Elia Sellers C769

Tilly Whitley B327

Kane Williams A106

Joshua Wilson D642

### Turning 13

Lotus Fisher C661

Joey Garland A538

James Greenway D643

James Grubb C437

Gabby Lao A432

Henry Spry B757

Rhian Suchet-

Pearson A428

Robin Walker C769

Tom Waugh C775

### Turning 14

Kate Frith B107

Lauren Hearn A323

Levi Leech C216

Archie Simondson C550

Kallum Skinner A653

Noah Smith B441

### Turning 15

Kayla Bonner D322

Jaime Dillon A106

Frank Doolan A320

Orion Larke D433

### Turning 21+

Caitlin Thompson A427

Nathan Lifford D000

Dee Vojnovic F400

Darren Bell A324

Debra O'Keefe F400

Amanda Lee FDW

Helena Feldman C321

Colin Schotte A430

Barbara Walmsley F214

# Herald Vic

## HEAD BUFFS

Guess what we have? Head buffs are back in stock!! Come and purchase one from Vic Merchandise for only \$10 and keep that dust out of your nose. You won't find cheaper relief from the dust anywhere else at AJ2019!

## MURDER AT TROOP C551

Troop C771 were once again shocked to find another victim at their Gateway.

Random Peeps Patrol have investigated and believe the murder occurred due to the victim being a subscriber of T-Series.



## CONGRATULATIONS KASEY!

Kasey from Troop C107 was presented with her Australian Scout Medallion today. Congratulations and well-done Kasey! We're all proud of you!

## VIC VENTURERS

Don't forget to pick up your free movie ticket and bus pass from Viccon Merchandise.

## PICTURE CONTEST

The wall outside Viccon is filling up with your awesome photos of Weedy and Sleeping Leaders! Keep them coming in, and remember, we've got some great prizes up for grabs!

## DID YOU KNOW?

Scientists have discovered a substance harder than Diamond under Sub Camp C. The exact composition is yet to be determined.

## RUMOUR HAS IT...

Narelle from Viccon Admin has webbed feet like a duck. She might show you next time you're at Viccon.





# ASK THE BUNYIP

## Advice and ancient Jamboree wisdom

**Dear Bunyip,**  
**What are your best flirting moves?**

**Desperate, D644**

Dear Desperate,  
I don't need to flirt. I use animal magnetism.  
Buckley

**Dear Bunyip,**  
**How and why did the sub-camps get their animals and names?**

**Patrick, D427**

Dear Patrick,  
There was an amazing party. You should have been there.  
Buckley

**Dear Bunyip,**  
**Does the sun get heatstroke?**

**Laila, A542**

Dear Laila,  
It's a little known fact that the sun protects itself with aloe vera. It uses so much that it can be hard to find on earth.  
Buckley

**Dear Bunyip,**  
**Which state has the nicest Scouts and which state has the rudest?**

**Nicole, Troop D428**

Dear Nicole,  
SA and NSW, but not necessarily in that order.  
Buckley

**Dear Bunyip,**  
**Apparently Woodhouse have half a tent full of beans. Pure beans. Nothing else, just beans. Is this true?**

**Anonymous**

Dear Anonymous,  
They was a tent full of beans but people ate most of them. Now they're has-beans.  
Buckley

**Dear Bunyip,**  
**How did you get Justice Crew to perform at Jamboree?**

**Jessica, B324**

Dear Jessica,  
I had my people call their people. (Plus, Pete Berlemon knows people.)  
Buckley

**Dear Bunyip,**  
**Towards the end of AJ2019, I am going to Woodhouse. Is the food as nice as the food at AJ?**

**Sofia, B221**

Dear Sofia,  
Do you like pizza? Do you like hamburgers and chips? Do you like icecream and chocolate sauce? These are just three of the things you won't get at Woodhouse.  
Buckley

**Dear Bunyip,**  
**Do you like beans?**

**Buckley**

**Dear Bunyip,**  
**When you get older, do you shrink?**

**Jasmine & Andrew, Troop D536**

Dear J & A,  
Do you?  
Buckley

**Dear Bunyip,**  
**I have lost my rock. It was last seen at the Mall. Could you please put this in the paper?**

**Thanks, from Noah in A103**

Dear Noah,  
Happy to help. I lost my companion rock once and couldn't sleep for days. If anyone finds a rock, please take it to Noah in A103.  
Buckley

**Dear Bunyip,**  
**This Jamboree I've learnt that I can't properly drink water while walking. Please help me before I shrivel up like my grandma.**

**Sayuni, D323**

Dear Sayuni,  
Then stop walking. Drink. Walk again. You can do it!  
Buckley

**PS Have you tried soaking your grandma?**

**Dear Bunyip,**  
**Chunky Custard were groovy but do you think Gritty Custard would be more appropriate?**

**Cracka, C322**

**Dear Cracka,**  
I'll pass your suggestion to their management.  
Buckley

**Dear Bunyip,**  
**I thought Scouts were meant to be good at navigation. Why can't they find things in their tents?**

**Greatest Leader Ever! A209**

Dear GLE,  
All over AJ2019 that's a pretty in-tents issue.  
Buckley

**Dear Bunyip,**  
**How do you like the new Scouts Australia emblem and program?**

**Tristan, D642**

Dear Tristan,  
There's a new emblem? You reckon they would have told us.  
Buckley

**Dear Bunyip,**  
**Why don't you have a comic section?**

**Ryan, D101**

Dear Ryan  
We do have a comic section. It's called Rovers.  
Buckley

**Dear Bunyip,**  
**What are the weirdest, wackiest or meme badge ideas?**

**Finlay, D424**

Dear Finlay,  
National is working on a badge of the new Scouts Australia logo as a ghost badge based on black holes deep in the universe. It's a bit existentialist, sucks in light, and is far too heavy to carry.  
Buckley

**Hi Buckley,**  
**If someone says "adorbs" what is the punishment?**

**Some Scouts say it a lot, it is so annoying.**  
**Nate, Troop B328**

**Dear Nate,**  
I checked "Scouting for Boys" and B-P says you should pour a cup of cold water down their sleeve.  
Buckley

**Dear Bunyip,**  
**How do you remove dust and dirt from your tent without a broom?**  
**Ryan, D101**

Dear Ryan,  
I use a vacuum. And a very long lead. Plugged into a live tree.  
Buckley

**Dear Bunyip,**  
**How many people are in Jamboree and how much money did the leaders spend on this camp?**

**Ethan, C554**

Dear Ethan,  
10,694. \$11 million.  
Buckley

**Dear Bunyip,**  
**How old do you have to be to drive the carts and can you smash them?**

**Cohen, D642**

Dear Mr Shield,  
21, and a Wood Badge holder. No.  
Buckley

**Dear Bunyip,**  
**Who came up with the name for The Daily Bunyip?**

**Lachlan, C554**

Dear Lachlan,  
I did. The other idea we considered was "Phil Harrison's Life Hacks".  
Buckley

**Dear Bunyip,**  
**What is your favourite activity at AJ2019?**

**William, D322**

Dear William,  
Lunch.  
Buckley

**Dear Bunyip,**  
**Do you think I could drink 3 litres of milk in 10 seconds?**

**Adam, C545**

Dear Adam,  
No, I don't think you could. But if you practise hard, like 20 times a day, who knows ...  
Buckley

**Dear Bunyip,**  
**Do you have a girlfriend?**  
**Samuel, C324**

**Dear Samuel,**  
Yes. The girl on the radio. But she doesn't know yet.  
Buckley

**Dear Bunyip,**  
**How did it feel being turned into a Scout badge and having a newspaper named after you?**  
**Joel, A434**

Dear Joel,  
That's nothing. I'm thinking of changing the name of South Australia.  
Buckley

**Dear Bunyip,**  
**How do we get Harry Long to have dinner with us?**  
**Harry, Troop D530**

Dear Harry,  
Get his Executive Assistant Hadi to put you in his diary. Make it sound important like "Cleaning toilets at sub camp C".  
Buckley

**Dear Bunyip,**  
**What is a Bunyip?**  
**Austin, A537**

Dear Austin,  
Just ask any of our resident experts. Their names are Siri, Google, Alexa and Harry.  
Buckley

**Dear Bunyip,**  
**Do bunyips have scales or fur?**  
**Nikolas, D424**

Dear Nikolas,  
Are you fur real? I checked with Phil Harrison and he says a bunyip is a cross between a bird and an alligator. So it's feathers and scales. And a very stylish scarf.  
Buckley

**Dear Bunyip,**  
**What is the best thing about owning the newspaper?**  
**Caleb, B440**

Dear Caleb,  
Complete global domination.  
Buckley

**Dear Bunyip,**  
**Is your name Oliver? Also can you shake my hand?**  
**Jeremy and Jemima Lee, C435**

Dear J and J,  
No. No, but I can shake paws.  
Buckley

**Dear Bunyip,**  
**How does The Daily Bunyip produce so many newspapers?**  
**David, C554**

**Dear David,**  
The oompa loompas are hard at work 24 hours a day in the factory.  
Buckley

**Dear Bunyip,**  
**Why does water have a metallic taste to it? BTW I hate burnt toast.**  
**Elliot, Troop A542**

Dear Elliot,  
I think you've been drinking the washing up water. Also, you should be tolerant of all forms of toast. In 2019 it's not cool to be toastist.  
Buckley

**Dear Bunyip,**  
**I am sick of burnt toast. Why has no one invented a clear toaster yet?**  
**Ashley, A542**

Dear Ashley,  
Because they're too busy inventing the clear toilet.  
Buckley

**Dear Bunyip,**  
**Why are all the tomatoes coming in cherry boxes?**  
**Sophie, A544**

Dear Sophie,  
Because they're cherry tomatoes.  
Buckley

**Dear Bunyip,**  
**My friends say I drink too much apple juice. I drank four cartons in an hour. What is the recommended daily dose of apple juice?**  
**Min, C322**

Dear Min,  
Four cartons an hour.  
Buckley

**Dear Bunyip,**  
**Why does the Dust Council keep the dust going all day long, I have concerns!**  
**Nixon, C545**

**Dear Nixon,**  
I was not aware that the Dust Council was making these decisions. I will ask Chief Dust Director Reg Williams to pass on your concerns. They will be strongly noted.  
Buckley

**Dear Bunyip,**  
**There is a sand pit in the middle of our tent. Should I be happy or sad?**  
**Indecisive, B328**

Dear Indecisive,  
I guess it depends whether you want to build a sand castle or sleep.  
Buckley

**Dear Bunyip,**  
**How many papers do you give out to the troop each day?**  
**Maddi, C554**

Dear Maddi,  
Have they been giving them out? They were supposed to be collecting \$5 a copy. Dirk's Distribution will pay for this mistake.  
Buckley

**Dear Bunyip,**  
**What meals can I make from the ration pack and the cat food from Woodhouse?**  
**Starving, D644**

Dear Starving,  
Catserole or Catsoulet.  
Buckley

**Dear Bunyip,**  
**Can your PL arrest you for playing the kazoo till 3 in the morning?**  
**Aiden, B651**


Dear Aiden,  
Yes, it's a little known Jamboree rule. But only kazoos. But there is a loophole: why don't you try African drumming?  
Buckley

**Dear Bunyip,**  
**Could I please have your credit card number and PIN so I can ship you gold from Nigeria? PS your social security number would make this transaction easier.**  
**Nigerian Prince, A319**

Dear Prince,  
Would you also like to see my recent electricity bills?  
Buckley

**Getting your ASM at AJ2019?**

We will be running a feature on ASM presentations at the Jamboree in Edition 9. If you would like to be included, please email a photo together with your name, Jamboree Troop (and name of presenter, if they are in the photo) to newspaper@aj2019.com.au by 9 am on Friday.





# Around the Troops

Send your Troop news and photos to [newspaper@aj2019.com.au](mailto:newspaper@aj2019.com.au)

Or drop in to the offices of The Daily Bunyip.



D322 Before and After. Early yesterday Bunyip photographer AM met Troop D322 looking their smartest. A few hours later it was a different story.



## The Frogs Fight Back

by CHLOE TYRRELL

The structure of AJ2019 is as follows: Contingent, troop, patrol, and within certain patrols – Frog Gang. Troop B217 has taken it upon themselves to switch up the social structure in the sub camps, christening themselves with a frog tattoo to differentiate themselves between the normal Scouts and the amphibians. Members Riley, Hayden, Tiger, Cooper, Jordan and Nathan of the Victorian Contingent have nothing short of their soul invested in this club, with Tiger stating “it means everything.” Will these now converted gang members revert to their old kind and respectful Scout ways? Or will they turn out to be Cane Toads, with destruction running through their blood? Until their capabilities are understood, stay safe and keep your tents zipped or perhaps zip tied.

A Scout from our Troop lost \$50. Two Victorian Scouts, Alex and Hamish, D646, found the money and returned it! BRAVO!

D643

One morning in the camp, it seemed normal, but the bull ants were plotting underground. Byron was sitting at the breakfast table drinking juice and spilt it on himself. The ants found him instantly and ate him alive! Police are now investigating what made the ants so aggressive.

Joe, C771

At Woodhouse, I fell into the river three times. The first time I was climbing some ropes and lost my grip, falling knee deep. I wanted to try again so I climbed the rope but my leg got tangled and I fell in backwards and got all wet. My leader said, “Well, you’re already wet so try the abseiling above the river.” I did and I fell 2m into the river when I slipped on a rock. It was really fun though and even though people were laughing at me, I still laughed with them.

Min and Sarah, C322

Today I went ice-skating for my first time. I fell on my butt twice and crashed into a wall once. It was fun towards the end. To gain confidence, the activity Leaders gave me a Bang badge. I was told they’re hard to get.

Leona, B221

I met a lady at Wet’n’Wild. I made friends with her and we chatted in line. Because of my

act of kindness, I got a reward of an entry into our Troop raffle.

Kai, A233

During Woodhouse, the curse fell on my Troop first. I twisted both ankles, James pulled a muscle, Finn got a sunburn and Bradley stared at all his messed Troop members like any person would. The sleep was fine if not for the other loud campers. Before sleeping, Jackson ate all his food and some of James, Finn and Bradley’s food while he was feeling fine and hungry. He would later regret this in the morning. The curse lifted in the morning.

Heather, B220

I was collecting pegs that had been left on the ground and pegging them on my hat. After about half a day I had seven pegs. I was walking to the Mawson Sub Camp to buy a badge when some other Scouts came up and took half my pegs off my hat before I escaped. I had to move them to my bag to keep them safe.

Brendan, B214

While my mate was in the toilets, some tradies rocked up and they were circling his toilet knocking on this door and said “is anyone in there?” he replied yes and as soon as he got out the tradies took the toilet away. The



What’s the record for losing a lanyard? After losing his original, Matthew’s Patrol nearly missed the bus to Woodhouse. Luckily a temporary badge was quickly issued. The Troop suspect the new one is a magical boomerang because Matthew, now known as “Lanyardless Lockheart”, has lost it eight more times since. Like a boomerang, the lanyard seems to return.

Matthew, D537

funny thing is that the truck had already loaded the other toilet and while he was in there they were

already taking the toilet away with him in it.

Connor, B324

On Sunday my Troop had duty patrol. When we finally got off we went straight to the mall and bought Boost Juice and donuts. My friend Nate decided it would be funny to try and suck juice up his nose. He got a whole load up there.

Estelle & Nate, B328

On the way to AJ2019 we stopped at a McDonald’s. My friend said “this place stinks,” because the place smelled terrible. Then some random lady (not Scout or employee) came up and yelled at him for 10 minutes straight!

She thought he said it about her not the shop.

Ryan, D101

## A poem from B756

AJ2019 hand sanitizer as thick as cream, Justice Crew performing, Dust soaring. Metro Mania, toilets with no toilet paper, Collecting dust, I hope our pegs don’t rust.

Jack, B756

Robotics is entertaining because of the teamwork it involves. The game you needed to win was fun and good for teamwork. We made friends with the people we didn’t know. #friendsforlife

Oscar, C664

was washing my clothes, when and “someone” kicked over my washing up bucket and threw my underwear at our four metre high gateway. It was the first time he had ever thrown anything accurately and it took about 10 minutes to get it down.

Ned, A210

I was at the Cubes bike activity and as I was struggling since I had my jacket on, I managed to lose sight of everyone. When we stopped the instructor asked me if I was from NSW but I’m from SA.

Madison, A210



The Scouts at D206 have come up with a rating system on their gateway.



Troop B328 met the Mayor of Port Adelaide, Claire Boan, on their Metromania tour.

Today we went to the Wizz activity late and got the last choice. At first we were sad but we made a mistake. We did a tour around the main stage then we learned how to sing better, did some face paint, dressed in costumes and did

some dancing. Pick the Performing Acts activity if you enjoyed the opening ceremony.

**Flynn, A210**

When we were at Woodhouse, Zac and Connor were talking in the tent and he decided



Whale tale... Getting in the spirit, unleashing my inner Orca. Down here at Flinders Sub Camp in Troop C660 you will find me Orca-nising Scouts in my role as a Assistant Troop Leader. In my spare time I am conducting a Orca-stra and whaling out some funky tunas. My favourite movie is Free Willy. Having a whale of a time and hoping not to get sick and have to go to whalefare.

**Oreo, C660**



We bumped into Leo of B442 looking a little savaged and blood stained. Upon further investigation it was determined Leo was slowly but surely being slowly stained by beetroot juice, sauce and other unidentifiable liquids leaking from the bag.



Scouts from C215 rescued and returned Pooh to Awesome Mawson Chill Tent tonight.



Our duty patrol worked super hard yesterday. After we'd got our daily supplies we all had a nap in the cool of our dining fly.

**Livi, Xavier & Jamie, C544**

to creep up under the fly and stared at Zac and leaned on his shoulder. He screamed so loud that he attracted attention from all the campsite.

**Brian, B324**

Before breakfast, we were lining up and Brodie

says to me "Don't we need to do Winston?" I'm like "Excuse me?!" Brodie: "Yes, don't we have to wash our plate in Winston?" I start dying with laughter and say "Don't you mean Milton?"

**Zion, A428**



Viking scouts of D540 are experts at shield wall.



I and II patrol from D540 successfully returned from Woodhouse. The best bit was sleeping out on a GRASSY hill under the stars.



D317 pegging D644 Leader on way to Port Adelaide



Troop C551 has four sets of siblings including two sets of twins, and three of the four Leaders have their own children as part of the Troop. Scouting = Family.



Me and my friends started a pegging gang, and we pegged over 10 people in one day. I even pegged a security guard at the concert. We started the gang at Wet 'n' Windy.

**Alex, C435**



B441 on the giant swing at Woodhouse.



Today my patrol was on duty. There's lots to do to get four of our patrols out to activities. Once we did though we had time to create some awesome shelving and sort out our pantry so we can find everything.

**Nathan, C544**



We are A537 and we got a security guard to put a peg on a Justice Crew member.



Rex Keily is the AJ2019 Director of Sites and Services and has been at Taillem Bend since 3 December. Tomas, D209, is Rex's grandson and a Scout in the ACT.



James from D643 models his rare backwards printed shirt.



A word from the water wise. Gareth and Will suggest "it's a good idea to make sure you have lids on the buckets, especially lids that stay on." Most times they get back to camp with very little water and say "most of the dark patches you see on the road will be our water".  
**Gareth and Will, B218**



Dennis, Nicola, Jeremy and Abbey from C325 having fun at Wet 'n' Windy.



Gemma, a New Zealand Scout camping with the D209 Nuclear Numbats, loved the Full Throttle car ride. Gemma thought it was awesome! She says the car was amazing and wished it went even faster down the straight.

**SPOILER ALERT**

QUIZ ANSWERS

**Three points**

1. Auckland
2. R.L. Stine
3. Maroon
4. Sheet Bend
5. Green and red
6. Socceros
7. Neil Armstrong

**Two points**

8. His sister, Agnes
9. Torres Strait
10. South Australia

Riddle me this...  
The outside

# BUCKLEY BUNYIP'S BACK PAGE

## 6 people who ROCK AT LIFE

These six girls are inspirations to their friends, families, and troops. They are the very best they can be, and they are focused, energetic and trailblazers in their fields. They've given their advice on how to succeed.



**Jamie, D647**  
Talented Cockatiel Breeder

My advice is to keep them hand-reared a bit- that way you can still play with them.



**Maggie, C323**  
Represented Geelong in hockey

My advice is don't let anything hold you back, and be confident.



**Aanya, B326**  
ACT Representative for Volleyball

Everyone was really encouraging and supportive of each other. My advice is to go for it, and that it's a great team-building experience.



**Izzy, D643**  
Athletics and swimming champion

If anyone was thinking about going into a sporting competition, I would say to try hard, have fun, and remember that there's always a second chance.



**Piper, C330**  
Karate champion

Just try your hardest and enjoy it.



**Amelia, D647**  
Received High Distinctions in many different State Academic tests

Just be the best you can and don't be afraid to ask for help.

# IN CASE YOU MISSED IT...

by CONNER HOFMEIER AND MADELEINE WOODWARD (edited by ANDREW WOOD)

While you were at the Jamboree, here's some news you might have missed...

1. Australia has beaten India in the cricket by 736 runs.
2. Fortnite has released a new installation, making it the highest grossing game of all time.
3. Apple's value has fallen by \$450 billion.
4. Flared jeans are making a comeback.
5. Donald Trump has finally apologised for his actions.
6. A new world record for longest leg hair was awarded to a Tibetan monk.
7. The consumption of pizza is now illegal in parts of Western Australia.
8. Australia has had two new Prime Ministers: Tony Abbott again, and the office intern.
9. The nation of France no longer exists.
10. 18th Century ball gowns are back in fashion.
11. McDonald's has introduced a new super-sized salad with only 4500 kilojoules.
12. Tomatoes have gained the ability to speak due to genetic modification.
13. Australia has world class internet.
14. The Chinese Soccer Team have made the FIFA World Cup.
15. Housing prices in Sydney have plummeted, making it the cheapest city to live in.
16. Kim Kardashian has just completed her Masters in Astrophysics.
17. Suzuki has just released Australia's first hover car.
18. Beyoncé shops at Target.
19. Aldi has just been named Australia's highest quality producer of camping gear.
20. High heeled crocs are the new fashion amongst celebrities in Los Angeles.
21. The Olympics have been pushed forward to January 15th at The Bend Motorsport Park.
22. Antarctica has been overcome by bushfires.
23. Scouts Australia has opened a new section for 3-5 year-olds called "Possum Scouts".
24. 25. Tomorrow, there is an all you can eat ice cream buffet at the main stage at 3pm.
25. Late news: Australia has just had its third Prime Minister for the New Year.

Today the troop had a pleasant day of whittling.

In the morning we made our own thumbsticks. One of the PLs mumbled something about computers and I had to explain that a thumbstick is a type of walking stick with a notch to rest your thumb. No-one wants a tired thumb.

So it was clasp knives out and all hands on deck! Some question our daily use of clasp knives so I produce a tatty copy of P, O & R which clearly mandates that Scouts carry a clasp knife at all times.

I have heard a rumour that this was rescinded in the 1996 Bill Wells revision which is why we still use the old edition.

In the afternoon we all made small sailing ships and put them in bottles. It's an old trick. The masts lie down when the boat goes into the bottle then you pull on a piece of cotton and all the masts stand up. Then you tie the cotton to the bow sprit. Voila! A large boat in a small bottle.

I'm surprised that Commissioner Harrison hasn't include this in his daily Tips for Tenderfeet.

Some of the lads moved to new interpretations of this art. One put a canoe in a bottle, one did a whole campsite, and one carved a bottle and put in inside a bottle.

I have no idea how he did this but I reckon he's earned his Whittling badge.

## Old Man Jefferson



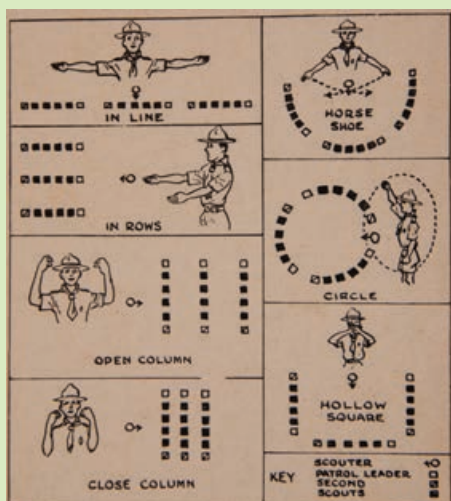
## LIFE HACKS OF THE CHIEF COMMISSIONER

### #5: Save your voice

Chief Commissioner Phil Harrison is concerned at Leaders' voices being strained by the alleged dust at AJ2019. From tonight the camp is to be silent and we will all communicate only by signals, as we did in the good old days.

Scouts should memorise this list or get it tattooed on their left arm.

"I'm also thinking of introducing these signals at the Chief's Council," said Phil as he recovered from yesterday's off-site Chief's Council.



## Buckley's Quiz

How many answers can your Patrol get? Are you smarter than the other Patrols? Answers on page 11.

### One point

1. What is the largest city in New Zealand?
2. Who wrote the "Goose-bumps" books?
3. What is the section colour for Venturers?

### Two points

4. Which knot joins two ropes of unequal width?
5. What are the colours on the flag of Bangladesh?
6. What are the Australian men's soccer team nicknamed?
7. Who was the first man on the Moon?

### Three points

8. Who founded Girl Guiding, together with BP?
9. What is the body of water between Cape York and Papua New Guinea?
10. In which state is Lake Eyre?

### Riddle me this...

What side of the turkey has the most feathers?